

TR1

en

Assembly and Operating Instructions

Isolating relay

Important information for:

- Fitters / • Electricians / • Users

Please forward accordingly!

These instructions must be kept safe for future reference.

4003 630 005 0a 01/11/2022





Table of contents

General	3
Warranty	3
Safety instructions	4
Intended use	4
Assembly	4
Connecting diagram.....	5
Disposal	5
Technical data	6
Simplified EU declaration of conformity.....	6

General

The isolating relay is used for electrical decoupling in parallel connections.

Explanation of pictograms

	CAUTION	CAUTION indicates a hazardous situation which, if not avoided, could result in injury.
	ATTENTION	ATTENTION indicates measures that must be taken to avoid damage to property.
		Denotes user tips and other useful information.

Warranty

Structural modifications and incorrect installation which are not in accordance with these and our other instructions can result in serious injuries, e.g., crushing of limbs. Therefore, structural modifications may only be carried out with our prior approval and strictly in accordance with our instructions, particularly the information contained in these Assembly and Operating Instructions.

Any further processing of the products which does not comply with their intended use is not permitted.

The end product manufacturer and fitter have to ensure that all the relevant current statutory, official and, in particular, EMC regulations are adhered to during utilisation of our products, especially with regard to end product manufacture, installation and customer advice.



Safety instructions

General information

- Only use in dry rooms.
- Only use unmodified original parts from the control unit manufacturer.
- Keep children away from control units.
- Observe all pertinent country-specific regulations.



Caution

- **Risk of injury due to electric shock.**
- **Connections to the 230 V mains must always be performed by an authorised specialist.**
- **Disconnect the connecting cable from the power supply prior to assembly.**
- **Always comply with the regulations of local energy supply companies as well as the VDE 100 provisions for wet and damp rooms during installation.**
- **Never use faulty or damaged devices.**

Intended use

The isolating relay, delivered ex works, is used for electrical decoupling in parallel connections. Depending on the drive (or motor current), up to max. 8 drives can be connected in parallel, as the entire motor current flows through the central push-button. The isolating relay is suitable for installation in flush-mounted switch or junction boxes or in cable and parapet ducts.

The connection of external devices must be carried out in consultation with specialist retailers.

Assembly

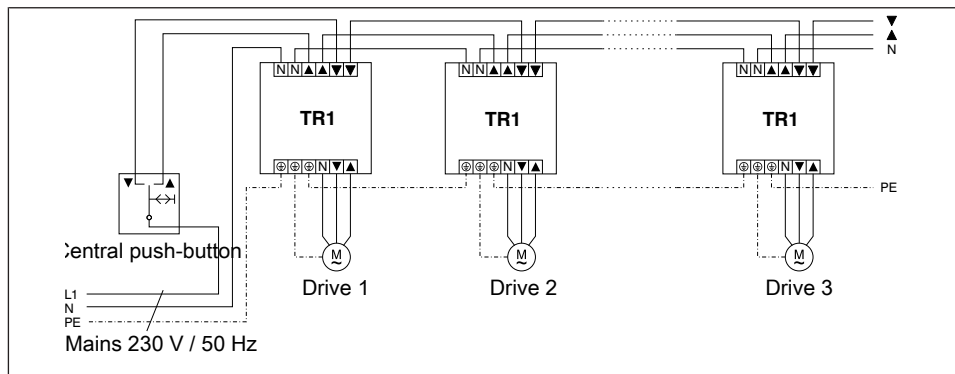
The unit is typically installed in the junction box next to the drive. It can also be installed in a deep distribution switch box (with an all-over depth of at least 60 mm) behind an Up/Down button. Wiring is carried out according to the connecting diagram.

Connecting diagram



Caution

- Risk of injury due to electric shock.
- Connection may only be performed by an authorised specialist!
- Always take into account the device switching current.



Disposal



The crossed-out bin symbol on the product indicates that the device is subject to mandatory disposal separate from household waste. This product must be handed over to a collection point for electrical and electronic equipment at the end of its service life. The packaging material must be disposed of properly.



Technical data

Type	TR1
Housing dimensions (L x W x H)	48 x 52 x 32 mm
Switching capacity:	5A (for 230 V drives only)
Supply voltage:	230 V/50 Hz
Control voltage:	230 V/50 Hz
Area of application:	-10°C ... +70°C
Degree of protection:	IP20
Class of protection:	1

Simplified EU declaration of conformity

Becker-Antriebe GmbH hereby declares that this control unit complies with Directives 2014/30/EU and 2014/35/EU.

The full text of the EU declaration of conformity is available at the following web address:

www.becker-antriebe.com/ce



Subject to technical changes without notice.





BECKER